

MBM 55 Single Spindle Drill

The user-friendly MBM 55 offers self-centering side guides, a paper clamp and 5 preset drilling patterns.

MBM 55 Features

- Easy-glide table moves on bearings.
- 5 preset patterns available at the turn of a knob.
- Easy-release paper clamp for securing paper.
- Self-centering side guides allow for quick changes.
- 2" drilling capacity.
- 2 high quality drill bits are included ($\frac{1}{4}$ " and $\frac{5}{16}$ "), along with a sharpener and honing stone.

Specifications

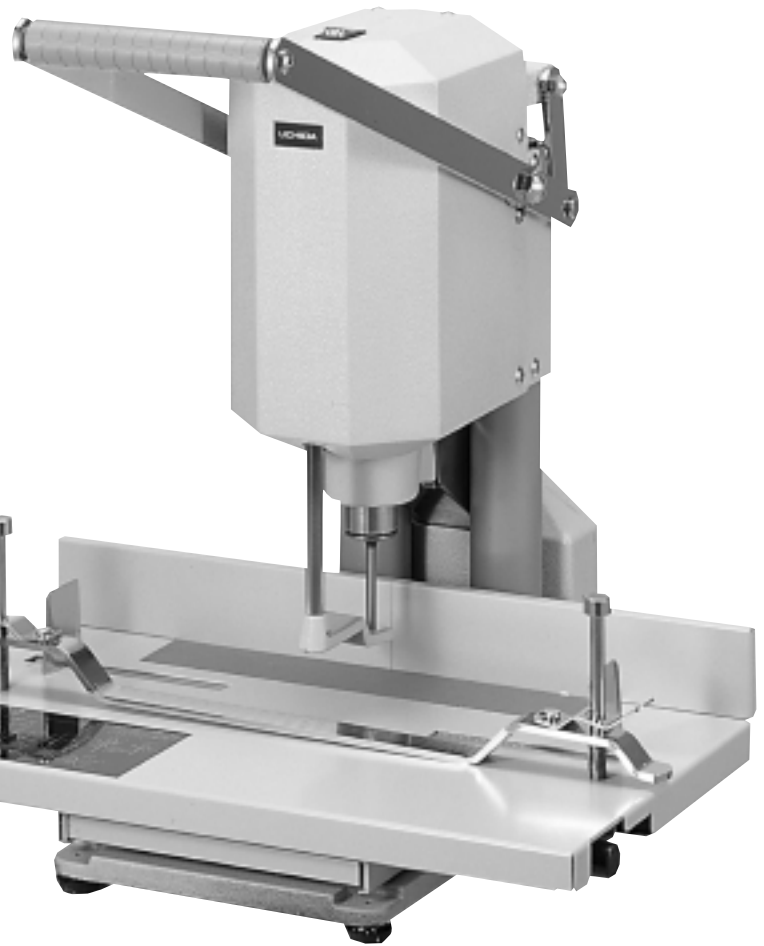
Drilling capacity:	2"
Back margin:	$\frac{1}{4}$ " to $1\frac{3}{8}$ "
Maximum paper length:	14 $\frac{3}{4}$ "
Table size:	18 $\frac{7}{8}$ " x 10"
Motor output:	$\frac{1}{4}$ hp.
Electrical:	115V, 60Hz.
Dimensions (L x W x H):	17" x 18 $\frac{7}{8}$ " x 24 $\frac{1}{2}$ "
Ship weight:	87 lbs.

Our Goal

MBM Corporation and our Canadian affiliate, IDEAL.MBM, work together to provide our customers superior products at competitive prices, along with the best service and technical support in the business.

Contact Us:

P.O. Box 40249
 North Charleston, South Carolina 29423-0249
 800-223-2508, fax: 843-552-2974
 Parts and Service fax: 843-760-3814
www.mbmcorp.com
sales@mbmcorp.com

**Dealer:****In Canada:**

1 Regan Road, Unit 12
 Brampton, Ontario L7A 1B8
 800-387-2528, fax: 905-840-1114
www.ideal-mbm.com
sales@ideal-mbm.com